

SEETRONIC

Product Data Sheet

Product Type IP65 Waterproof Power Socket

Product Model SAC3MPX-LY(05)

Customer Name _____

Manufacturer	Prepared	Checked	Approved

Customer	Received	Checked	Confirmed



Product Data Sheet

Product Type	IP65 Waterproof Power Socket	
Product Model	SAC3MPX-LY(05)	

Product Features

- Lockable three-core device power-out socket connector with contacts for linear, neutral and pre-adapted safety grounding
- The upgrade version of SAC3MPX which prevents water and air leakage at the same time and best partner for stage lighting
- Waterproof grade IP65 and protection class IP67 for terminal equipment
- High current capacity rated at 16A/250V AC VDE and 20A/300V AC UL
- UL498&UL50E Certification No.: E356932
- VDE Certification No.: 40044166



Product Data Sheet

Electrical Parameters

Item	Specification
Number of Contacts	2 + PE
Rated Current	16A VDE (20A UL)
Rated Voltage	250V AC VDE (300V AC UL)
Contact Resistance	$\leq 5 \text{ m}\Omega$
Dielectric Strength	4000V DC (1600V/min AC UL)
Insulation Resistance	$> 1000 \text{ M}\Omega$

Mechanical Parameters

Item	Specification
Service Life	> 1000 mating cycles
Cable Size	2.5mm^2 (12 AWG)



Product Data Sheet

Material and Environmental Parameters

Item	Specification
Housing	PA
Contacts	Cu alloy
Contact plating	Au
Flame-retardant grade	UL 94-V0
Temperature range	-30°C ~ +80°C
Protection degree	Waterproof grade IP65 and protection class IP67 for terminal equipment

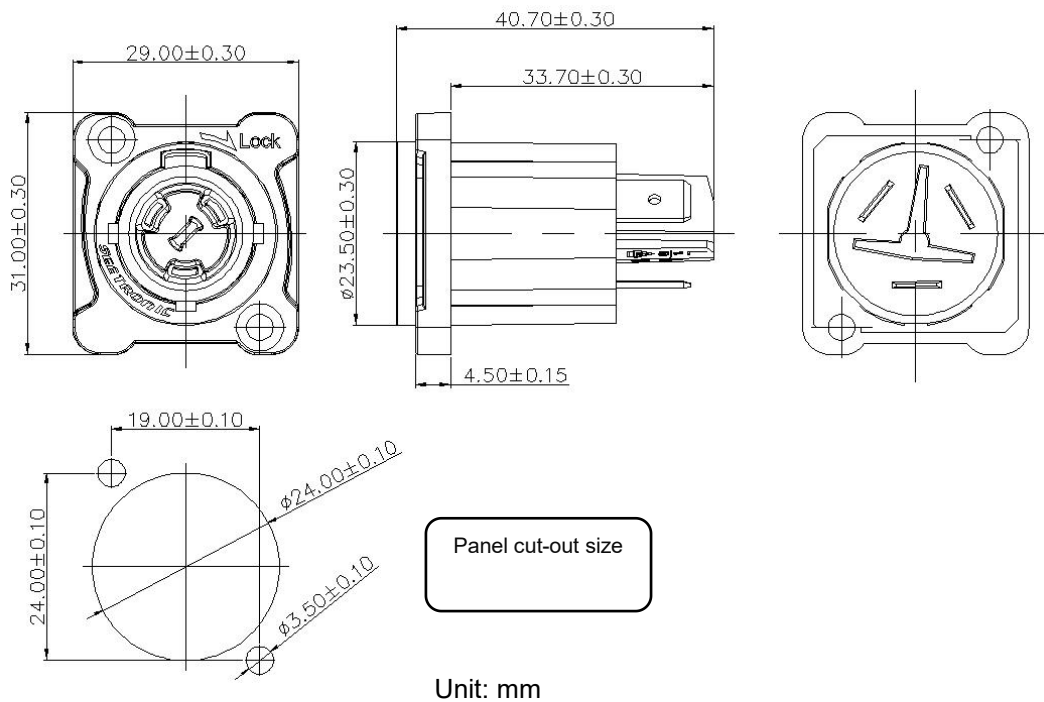
Standards and Certifications

Standards	UL498 UL50E IEC61984 IEC60320-1 GB/T 34989
Certifications	UL: E356932 VDE: 40044166 TUV:N8A1083360004 CQC:CQC23003410681



Product Data Sheet

Product Drawing



Packaging Method

Blister box packaging (only include the socket body, waterproof rubber is not included and need to be purchased separately)

20 pcs per blister box, 100 pcs per inner carton, 5 inner carton per master carton (500 pcs per master carton)

Accessory

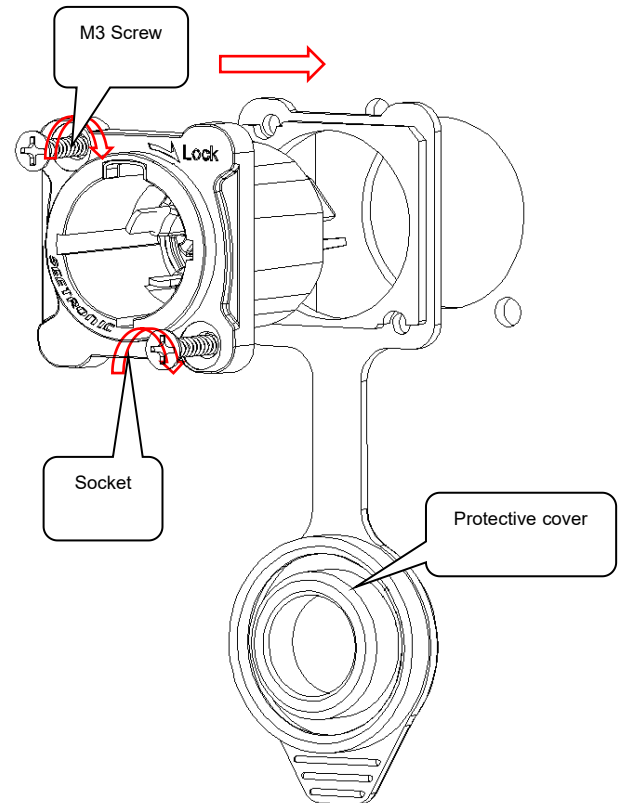
- | | |
|--|--|
| <input checked="" type="checkbox"/> No accessories | <input type="checkbox"/> Back fastener plate |
| <input type="checkbox"/> Screws and Nuts | <input type="checkbox"/> Other |



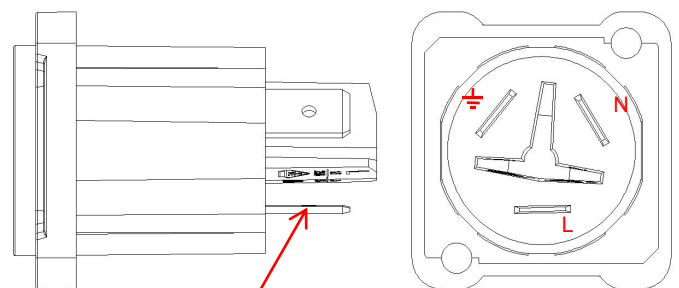
Product Data Sheet

Assembly Instructions

Put the protective cover on the rear side of the socket and then install on the front of the panel. Finally, tighten the screws with 0.5 N·m torque in clockwise direction.



Type of Terminals



Soldering / plugging 6.3x0.8 terminals

